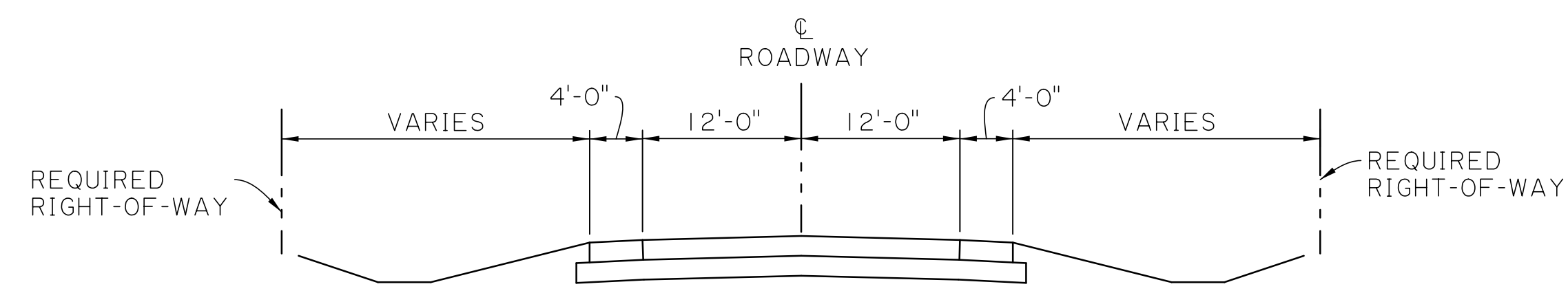
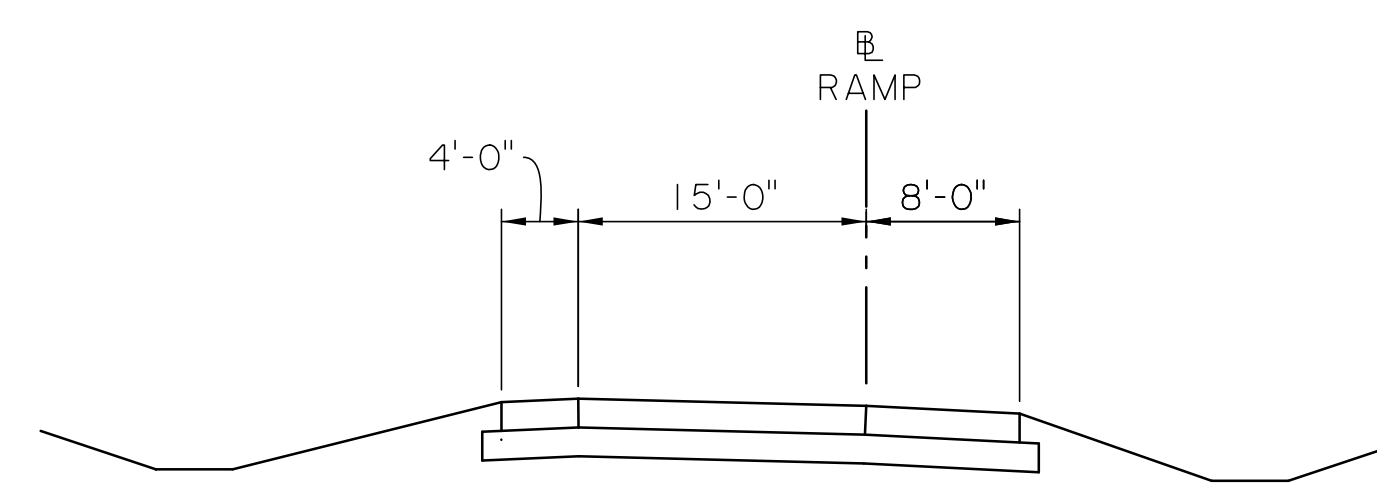


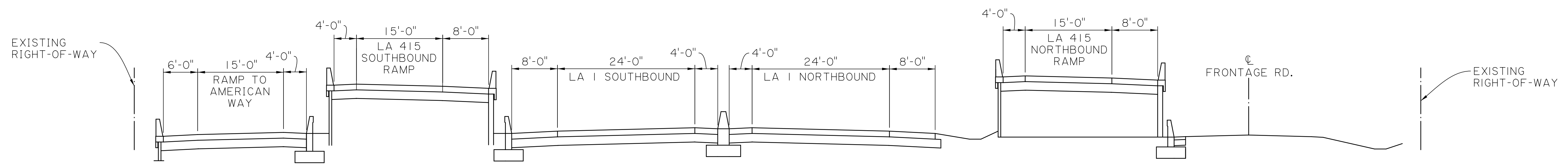
TYPICAL SECTION - LA 415



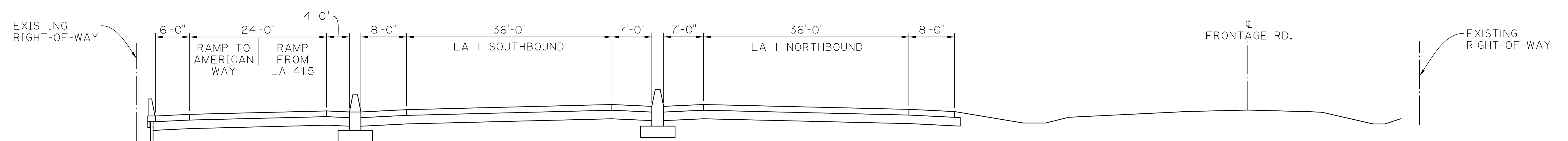
TYPICAL SECTION - 2 LANE ROADWAY



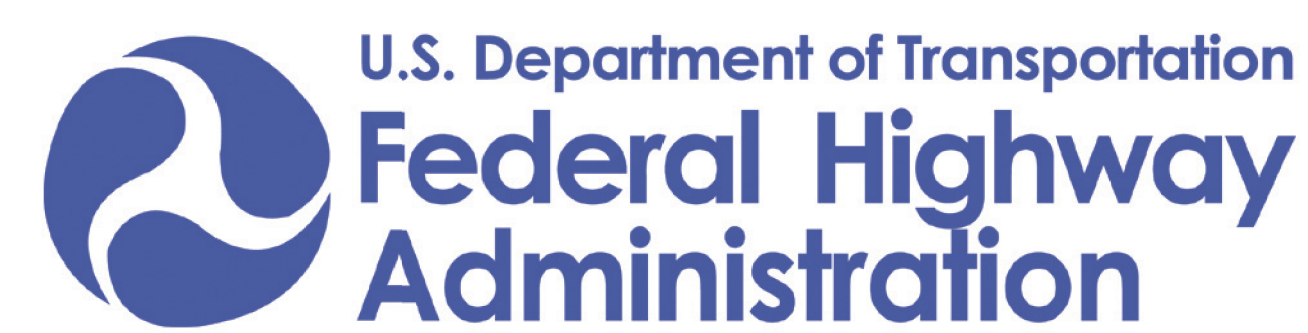
TYPICAL SECTION - RAMP



TYPICAL SECTION - LA 1 AT MSE WALL



TYPICAL SECTION - LA 1 AT AMERICAN WAY



LA 1 / LA 415 CONNECTOR
 STATE PROJECT NO. H.005121
 F.A.P. NO. H005121
 WEST BATON ROUGE PARISH

ROADWAY TYPICAL SECTIONS