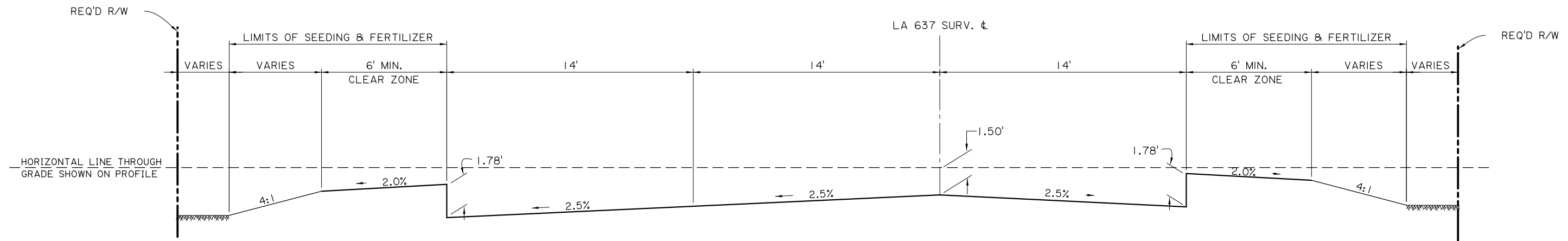
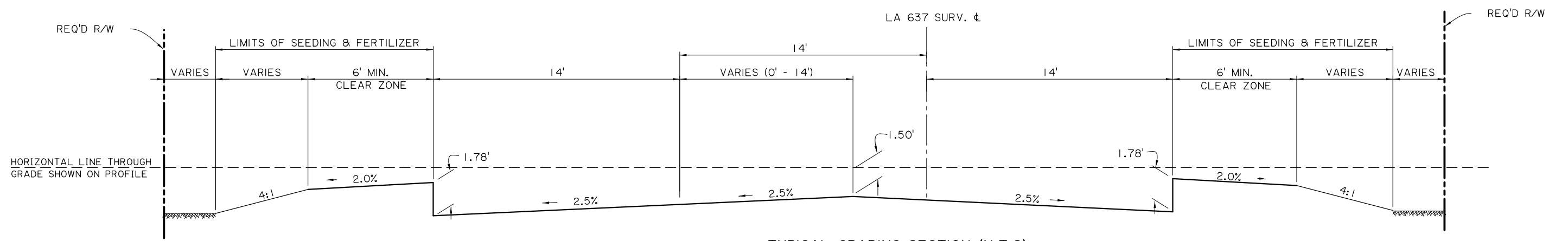


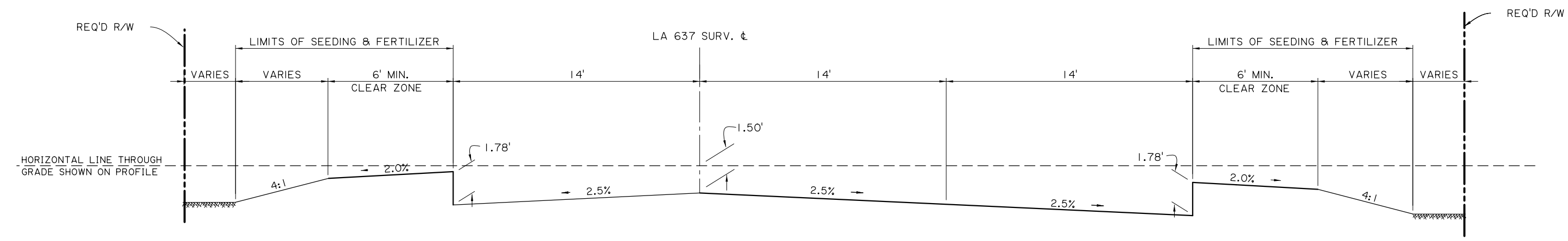
NO.	DATE	REVISION OR CHANGE ORDER DESCRIPTION	BY



**TYPICAL GRADING SECTION (N.T.S)**  
 APPLIES: STA. 100+12.56 TO STA. 118+79.98  
 STA. 119+15.23 TO STA. 151+00.00



**TYPICAL GRADING SECTION (N.T.S)**  
 APPLIES: STA. 151+00.00 TO STA. 157+10.33  
 STA. 157+18.83 TO STA. 157+33.88



**TYPICAL GRADING SECTION (N.T.S)**  
 APPLIES: STA. 157+33.88 TO STA. 177+91.84

Figure 8-11b: Typical Section Urban 3-Lane Asphalt